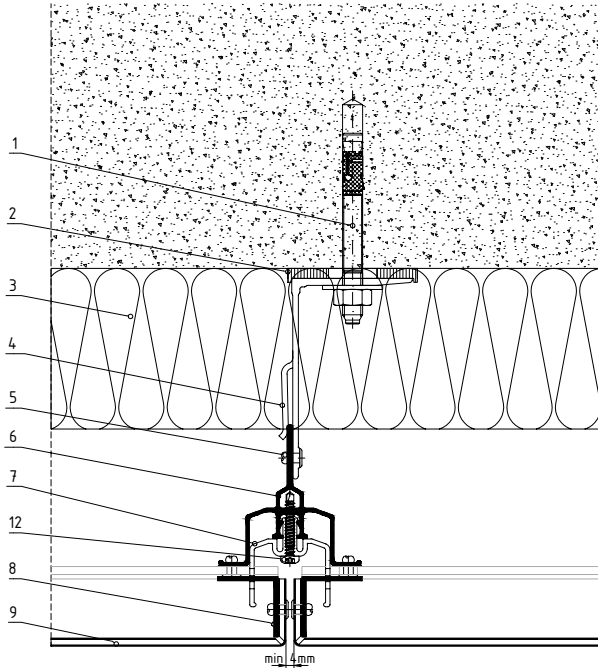




BRAVO Y
VENTILATED FAÇADE SYSTEM

VENTILATED FAÇADE SYSTEM DESIGNED FOR THE INSTALLATION OF COMPOSITE MATERIALS AND METAL SHEETS



MAIN ADVANTAGES

Fast, easy and secure installation

Variable vertical gap - 4-26 mm

Adjustment in 3 directions

Easy pre-positioning of the hangers

BRAVO Y

VENTILATED FAÇADE SYSTEM

DESIGN

DESIGNED ON THE PRINCIPLE OF NATURAL VENTILATION, ACHIEVED THROUGH THE CREATION OF A 4-8 CM ZONE BETWEEN THE FAÇADE MATERIAL AND THE THERMAL INSULATION

HIGH QUALITY PRODUCT

DEVELOPED TO ENSURE THE SAFE AND EFFICIENT INSTALLATION OF FLAT CLADDING MATERIALS TO THE BUILDING SUBSTRATE

SECURITY

THE SYSTEM ALLOWS THE MOVEMENT OF THE FAÇADE MATERIAL IN VARIOUS THERMAL EXPANSIONS WITHOUT COMPROMISING THE SECURE INSTALLATION OF THE CASSETTES

1. anchor
2. thermo pad
3. thermal insulation
4. fixing bracket 100/90 mm
5. rivet 4.8x12 mm
6. main supporting profile
7. hanger
8. L-profile
9. Etalbond
10. plug
11. supporting profile 190/40 mm
12. self-drilling screw M4.8x32

DETAILS

Tested method of fixing that provides 3 dimensional adjustability

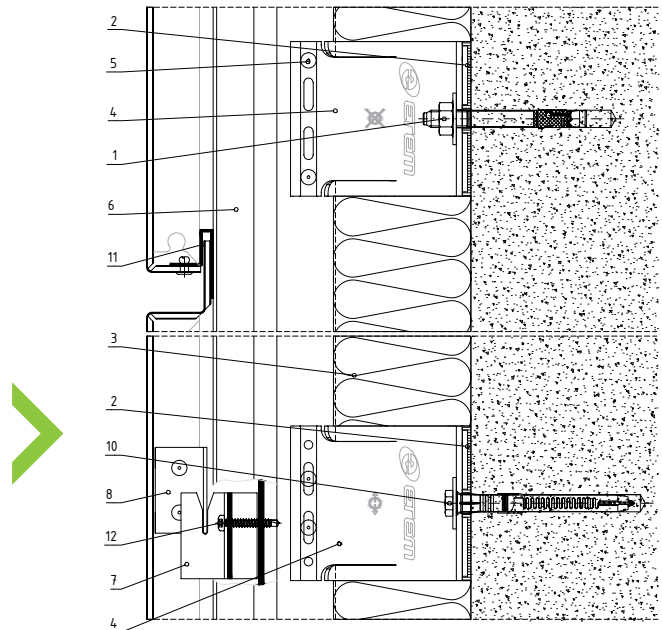
High level of sound insulation, water tightness

High energy efficiency

Natural ventilation

Hangers allowing less additional processing of the facade panels

Special Y-shaped slot on each hanger for more precise mounting



etem.com